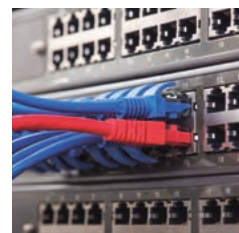
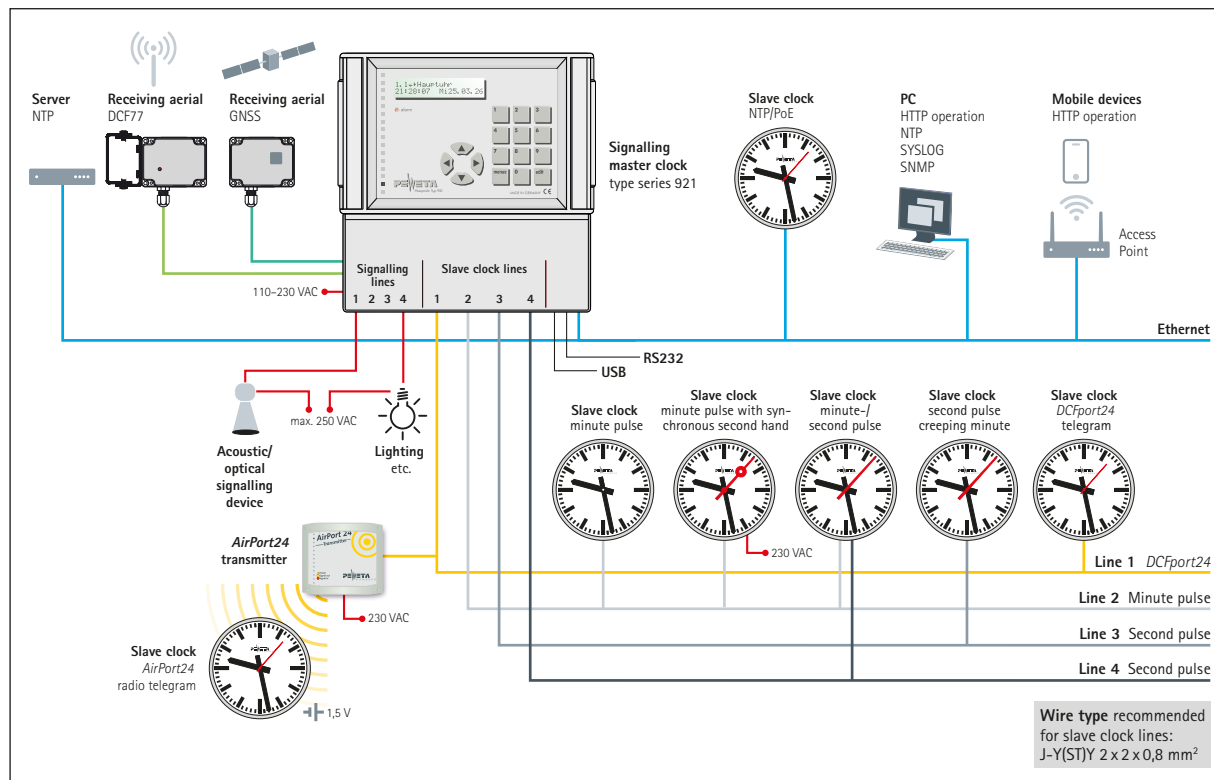


Wiring Diagram

for PEWETA type series 921 Master Clock



Wiring diagram for type series 921 Master Clock

Slave clocks of the following types may be operated by a PEWETA type series 921 Master Clock:

Minute Pulse, 12 ... 60 V

The polarity alternating pulse is distributed by a two-wire line. In analog clocks, the minute pulse also is the power supply. Before initiation, all slave clocks must be manually pre-set to indicate the starting time. All clocks must be connected in the same polarity.

Minute and Second Pulse, 12/24 V

To control slave clocks with minute/second pulse movements, a Master Clock with a minimum of 2 slave clock lines is required. In addition to the minute pulse (see above), a polarity alternating second pulse is transmitted on a separate (!) 2-wire line. In analog clocks, the minute and second pulse also is the power supply. Before initiation, all slave clocks must be manually pre-set to indicate the starting time. All clocks must be connected in the same polarity.

Minute Pulse 12/24 V, Synchronous Second, 230 V AC/50...60 Hz

Same function as minute pulse 12...60 V, however, the creeping second hand is powered by 230 V AC/50...60 Hz mains and is synchronised to the polarity alternating minute pulse at every full minute.

Second Pulse 12/24 V with Creeping Minute

To control slave clocks with a second pulse only movement a second pulse with a 12-hour cycle is required. The polarity alternating second pulse is transmitted by a 2-wire line, the creeping minute hand is "pulled along". In analog clocks, the second pulse also is the power supply. Before initiation, all slave clocks must be manually pre-set to indicate the starting time. All clocks must be connected in the same polarity.

DCFport24 Telegram

An interference-protected DCF77 telegram (12/24 V) is transmitted by a 2-wire line. All clocks connected to the system will automatically adjust to current time (plug-and-play), independent of polarity and position of hands in analog clocks. No manual pre-setting of time is required. For analog clocks and LCD digital clocks, this also provides the operating power. Analog clocks with faces up to 400 mm diameter always come equipped with a second hand.

The DCFport24 is also capable of providing power for a limited number of LED digital clocks, otherwise, 230 V AC/50...60 Hz (for other voltages, please call us) mains power is required.

For further information please ask for our data sheet.

AirPort24 Radio Telegram

To control slave clocks by AirPort24 radio telegram, at least 1 AirPort24 transmitter, and if conditions dictate, 1 AirPort24 repeater are required, in addition to a PEWETA type 921 master clock. A wire network, as in conventional slave clock systems, is not required, complete time and date information is distributed interference-proof by RF transmission (in the 868...869 MHz UHF band) throughout a radius of cir. 250 m to all slave clocks located in this reception area. All clocks self-adjust to current time immediately and fully automatically (plug-and-play). Analog clocks may operate either on 1.5 V battery power or 230 V AC/50...60 Hz mains, LED digital clocks always need 230 V AC/50...60 Hz (other voltages/cycles on request) mains power. Analog clocks with faces up to 400 mm diameter always come equipped with a second hand.

For further information about the AirPort24 radio telegram please ask for our data sheet.

Different clock drive modes may be used in parallel on different slave clock lines.